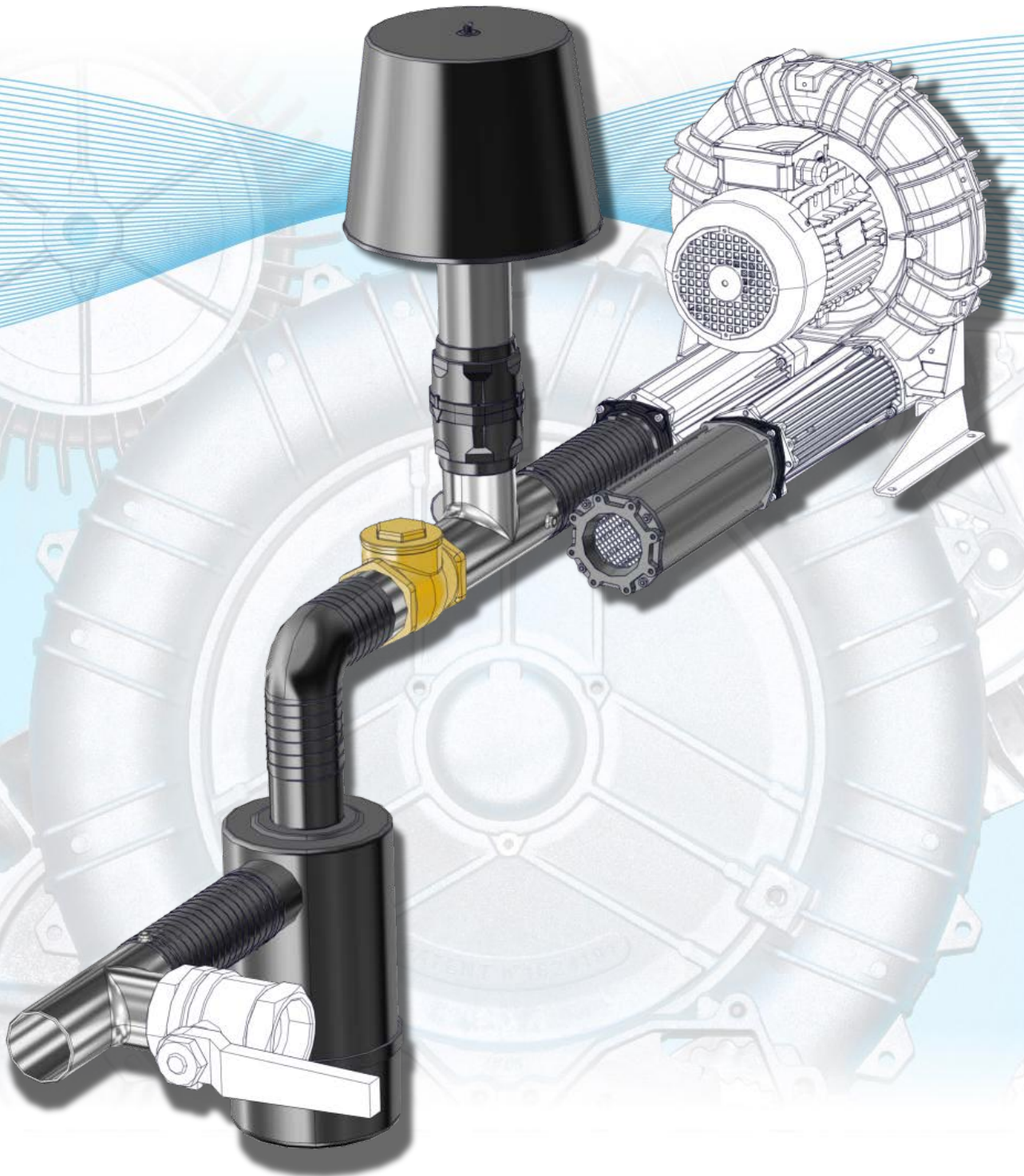


**FPZ**  
BLOWER TECHNOLOGY

# BLOWERS ACCESSORIES

**EU VERSION**



Data sheet

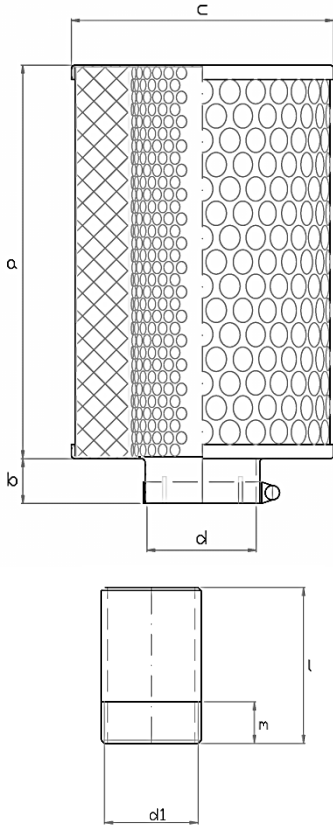
**ACCESSORIES FOR LATERAL CHANNEL BLOWERS-EXHAUSTERS**

COMPANY WITH QUALITY MANAGEMENT  
SYSTEM CERTIFIED BY DNV  
= ISO 9001:2008 =

FPZ s.p.a. Via F.lli Cervi 16, 20863 Concorezzo (MB), ITALY Tel. +39 039.69.09.811 [info@fpz.com](mailto:info@fpz.com) [www.fpz.com](http://www.fpz.com)

## INTAKE FILTER FOR INDOOR USE FA

Treated paper filter with 25 µm rating. Complete with hose clamp connector. PVC connector available on demand.



### DIMENSIONS (FA)

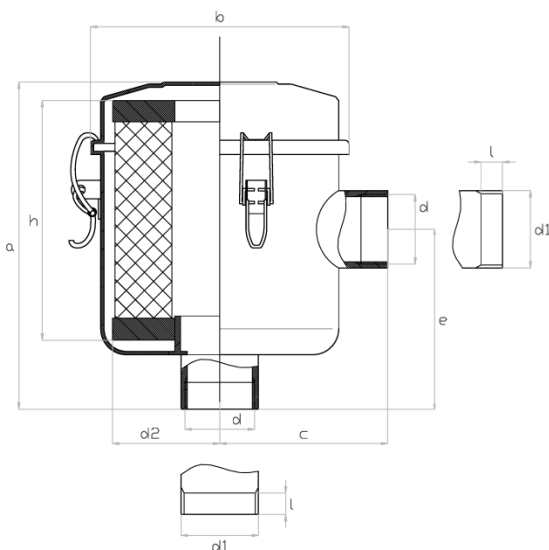
FILTER	Type	d1	a	b	c	d	CAPACITY m <sup>3</sup> /h	WEIGHT kg
	FA 4	1" ¼	126	23	126	42	100	0,64
FA 5	1" ½	217	23	152	48	300	1,15	
FA 6	2"	217	23	152	60	400	0,96	
FA 8	3"	150	34	200	89	700	1,33	
FA 9	4"	160	38	257	114	1400	2,10	
FA 10	5"	160	38	257	140	2800	2,59	

CONNECTOR	Type	d1	l	m	WEIGHT kg
	TR 4	1" ¼	200	15	0,10
TR 5	1" ½	200	15	0,21	
TR 6	2"	200	15	0,3	
TR 8	3"	200	15	0,45	
TR 9	4"	200	15	0,72	
TR 10	5"	200	35	1,25	

## INLINE CARTRIDGE AIR FILTER FV

Inline cartridge filter. Painted steel casing comes with threaded GAS connections. Treated paper filter rated at 25 µm

### DIMENSIONS (FV)



FILTER	Type	d	d1	l	a	b	c	e	CAPACITY m <sup>3</sup> /h	WEIGHT kg
	FV 5	1" ½	-	-	200	176	100	112	180	2,12
FV 6	2"	-	-	258	200	111	131	280	4,60	
FV 8	3"	-	-	268	200	122	142	700	3,40	
FV 10	-	5"	40	730	470	265	495	2450	43,00	

CARTRIDGE	Type	FILTER	d2	h	WEIGHT kg*
	CV 5	FV 5	120	152	0,55
CV 6	FV 6 FA 8	150	220	0,88	
CV10	FA 10	250	240	1,60	

\*Weights referred to paper cartridges

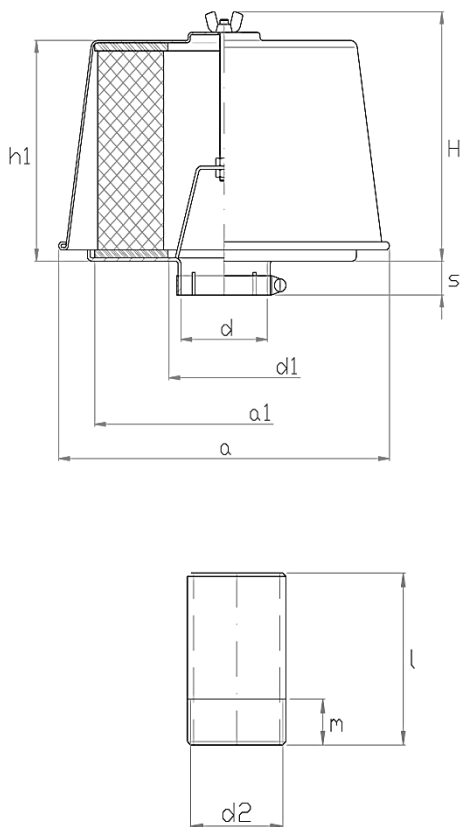
## CARTRIDGE INTLET FILTER FL

Cartridge filter complete with painted steel casing to protect the cartridge from atmospheric conditions. Treated paper cartridge with 25 µm rating. Complete with hose clamp and PVC connectors.

### Options

- Screen in stainless steel
- Filtrating element in polyester with filtration rate G
- CA manifolds or MP sleeves can also be used for easy FA/FL filter installation.
- Treated paper cartridge with filtration rate G (25 µm)

### DIMENSIONS (FL)



FILTER	Type	a	d	H	s	CAPACITY m <sup>3</sup> /h	WEIGHT kg
	FL 1	75	21	62	23	25	0,19
	FL 2	150	27	105	23	85	0,62
	FL 3	150	33	105	23	85	0,50
	FL 4	150	42	105	23	85	0,85
	FL 5	180	48	155	23	250	1,50
	FL 6	230	60	155	23	400	1,90
	FL 8	280	89	180	35	700	3,60
	FL 9	410	114	330	35	1400	7,80
	FL 10	410	140	330	35	2800	6,73

CARTRIDGE	Type	FILTER	a1	d1	h1	WEIGHT kg
	CF 1	FL 1	55	25	50	0,04
	CF 4	FL 2	108	55	83	0,20
		FL 3				
	CF 5	FL 4	147	80	135	0,45
		FL 5				
	CF 6	FL 6	176	80	135	0,62
	CF 8	FL 8	225	100	150	1,07
	CF 9	FL 9	300	215	300	1,78
FL 10						

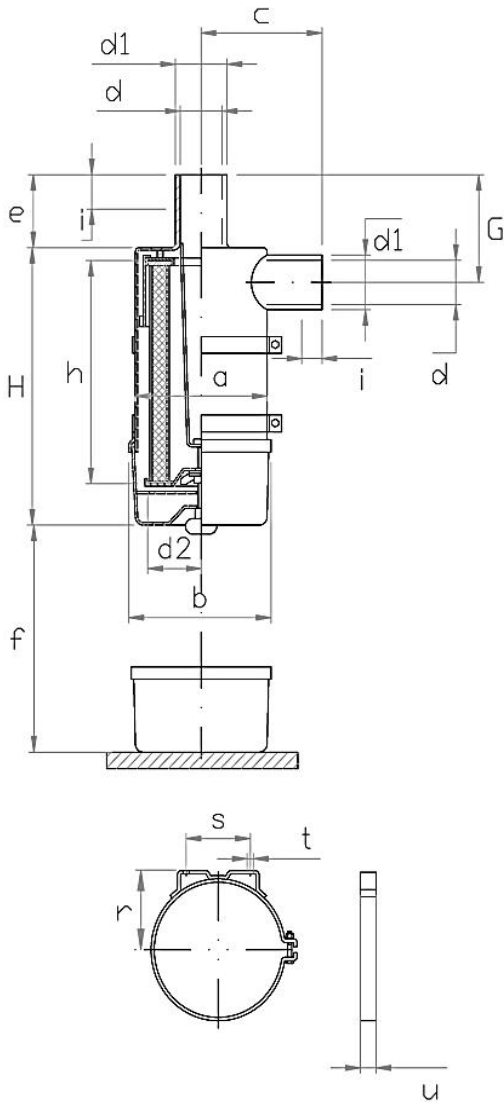
CONNECTOR	Type	d2	l	m	WEIGHT* kg
	TR 1	1/2"	100	15	0,02
	TR 2	3/4"	130	15	0,04
	TR 3	1"	130	15	0,06
	TR 4	1" 1/4	200	15	0,13
	TR 5	1" 1/2	200	15	0,45
	TR 6	2"	200	15	0,81
	TR 8	3"	200	15	1,26
	TR 9	4"	200	15	1,86
	TR 10	5"	200	35	1,50

\*Weights referred to paper cartridges

## INLINE CARTRIDGE CYCLONE FILTER FC

Inline cartridge filter. Unique filter design and finned plastic inserts produce an improved cyclonic effect, giving increased filter life. Treated paper filter element, rated at 25 µm, is housed in a painted steel casing with threaded GAS connections. FS hose are also available for use with FC filters.

### DIMENSIONS (FC)



FILTER	Type	d	d1	a	b	c	e	f	G	H	i	CAPACITY m <sup>3</sup> /h	WEIGHT kg
	FC 5	1" 1/2	48	132	146	126	81	270	129	312	22	170	2,50
FC 6	2"	60	165	178	156	91	300	144	341	22	240	3,50	
FC 8	3"	88	203	220	157	102	400	172	453	22	440	1,07	
FC 9	4"	114	262	276	225	128	430	208	493	22	730	8,90	

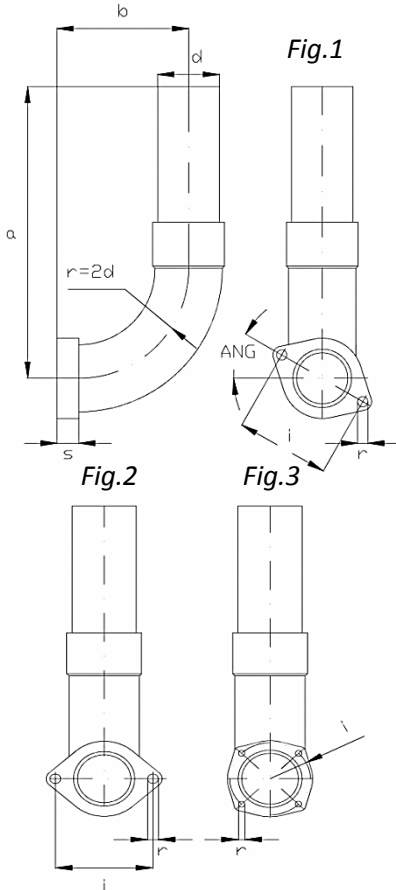
FLASK	Type	FILTER	r	s	t	u
	FS 5	FC 5	70	84	9	22
FS 6	FC 6	103	93	9	22	
FS 8	FC 8	122	112	9	25	
FS 9	FC 9	147	126	11.5	32	

CARTRIDGE	Type	FILTER	d2	h	WEIGHT* kg
	CL 5	FC 5	104	264	0,45
CL 6	FC 6	134	290	0,81	
CL 8	FC 8	155	395	1,26	
CL 9	FC 9	202	421	1,86	

\*Weights referred to paper cartridges

## MANIFOLD CA for filters FA/FL

90° wide radius PVC manifold with flanged connection and unthreaded tube end. Working temperature  $-20^{\circ} \div +40^{\circ}\text{C}$  ( $-5^{\circ} \div +105^{\circ}\text{F}$ ).



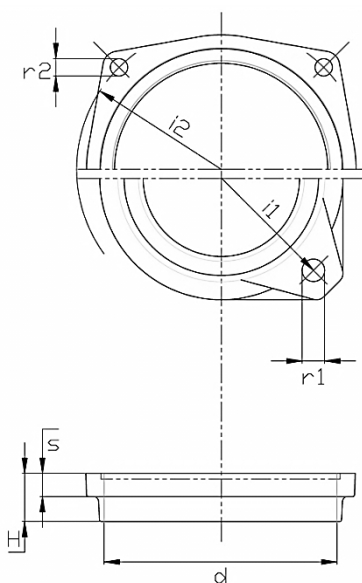
### DIMENSIONS (CA)

Type	d	a	b	d	s	i	r	ANG	Fig.	WEIGHT kg
CA 4	1" 1/4	220	90	42	15	75	7	30°	1	0,26
CA 4V	1" 1/4	220	90	42	15	64	7	-	2	0,26
CA 4K	1" 1/4	260	160	42	15	64	7	-	2	0,26
CA 5	1" 1/2	260	110	48	15	85	7	45°	1	0,43
CA 5V	1" 1/2	260	110	48	15	75	7	-	2	0,43
CA 5K	1" 1/2	300	180	48	15	75	7	-	2	0,43
CA 6	2"	320	135	60	15	85	7	45°	1	0,73
CA 6V	2"	320	135	60	15	85	7	-	2	0,73
CA 8	3"	380	185	88	15	120	7	-	3	1,60
CA 9	4"	400	235	113	20	150	9	-	3	3,10
CA 10	5"	450	300	140	20	210	18	-	3	5,88

## THREADED FLANGE

Threadened flange in aluminum alloy.

### DIMENSIONS (TF)



Type	d	H	i1	i2	r1	r2	s	WEIGHT kg
TF 3	1"G	18	55	-	6.5	-	10	0,05
TF 4	1" 1/4G	18	75	-	6.5	-	10	0,10
TF 4V	1" 1/4G	18	64	-	6.5	-	10	0,10
TF 5	1" 1/2G	18	85	-	6.5	-	10	0,10
TF 5V	1" 1/2G	18	75	-	6.5	-	10	0,10
TF 6	2"G	18	85	-	6.5	-	10	0,10
TF 8	3"G	25	-	120	-	6.5	13	0,20
TF 9	4"G	25	-	150	-	9	13	0,30
TF 10	5"G	35	-	210	-	17	13	0,77
TF 8NPT	3"N	25	-	120	-	6.5	13	0,20
TF 9 NPT	4"N	25	-	150	-	9	13	0,30
TF 10 NPT	5"N	35	-	210	-	17	13	0,77

## FLANGE VK valve housing vrl

The VK accessory makes it possible to connect VRL valves directly on the cover of the series K blowers:

- SCL K-MS applicable in delivery and intake;
- SCL K-MD applicable only in intake;
- SCL K-TS applicable both in delivery and intake;
- SCL K-TD not applicable.

## CHARACTERISTICS

Aluminium alloy flange with threaded connector.  
 Supplied with installation kit (seal, screws, bolts and spanner).

## DIMENSIONS (VK)

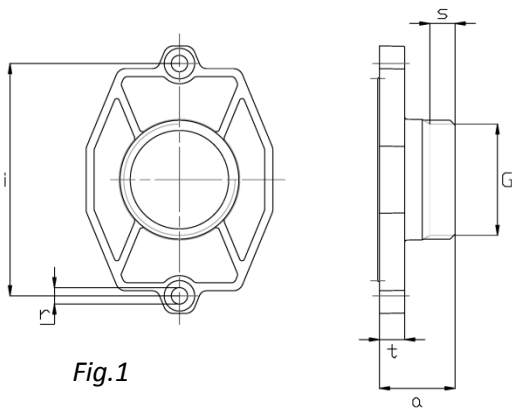


Fig.1

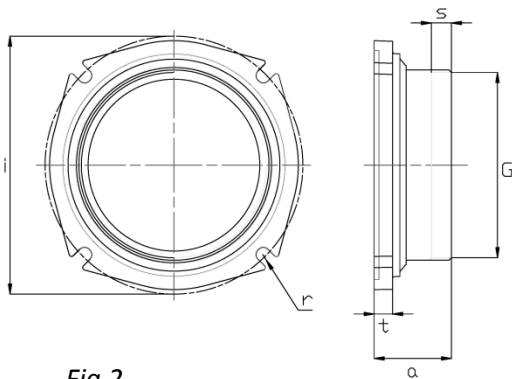
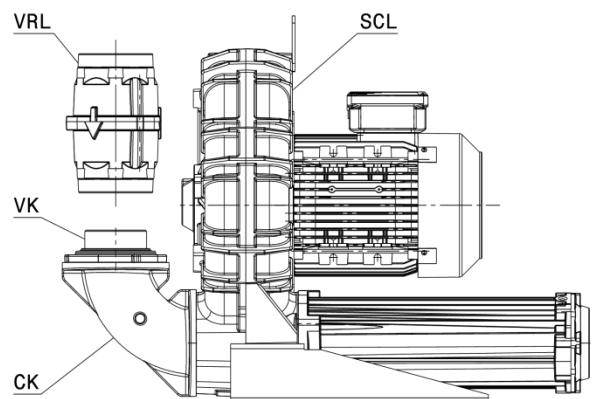
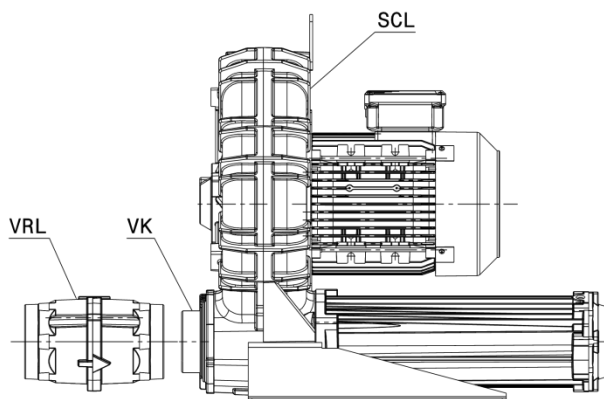


Fig.2

Type	Dn	G	a	i
VK 5G	1" 1/2G	1" 1/2G	30	92
VK 6G	2"G	2"G	50	110
VK 6AG	2"G	2"G	59.5	130
VK 8G	3"G	3"G	43	130
VK 9G	4"G	4"G	46	150
VK 5N	1" 1/2N	1" 1/2 N	30	92
VK 6N	2"N	2"N	50	110
VK 6AN	2"N	2"N	59.5	130
VK 8N	3"N	3"N	43	130
VK 9N	4"N	4"N	46	150

Type	r	s	t	Fig.	WEIGHT kg
VK 5G	6.5	10	10	1	0,09
VK 6G	8.5	12	10	1	0,09
VK 6AG	9	12	11	2	0,09
VK 8G	9	10	11	2	0,09
VK 9G	9	12	11	2	0,40
VK 5N	6.5	10	10	1	0,09
VK 6N	8.5	12	10	1	0,09
VK 6AN	9	12	11	2	0,09
VK 8N	9	10	11	2	0,09
VK 9N	9	12	11	2	0,40



## MANIFOLD CK

90° aluminium manifold for "K" models supplied in a kit containing the gasket and bolts.

### DIMENSIONS (CK)

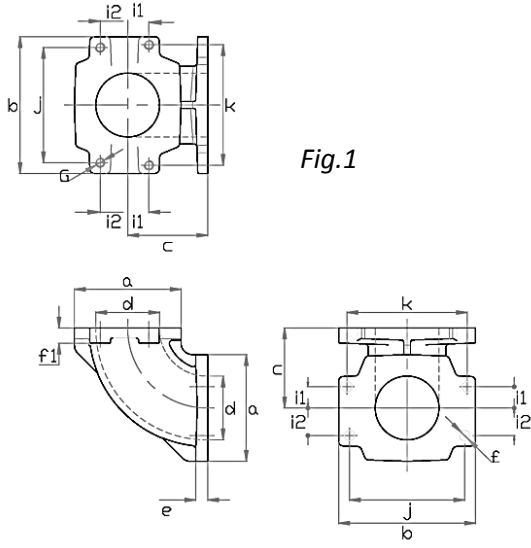


Fig.1

Type	a	b	c	d	e	f1	f
CK 4	69	84.6	56	38	7	11.5	7
CK 5	80	100	56	43	7	11.5	7
CK 6	92	118	69	55	8.5	13	9
CK 8	145	145	109.5	75	10.5	-	9
CK 9	165	165	132.5	90	10.5	-	9
CK 10	220	220	192	128	10.5	-	9

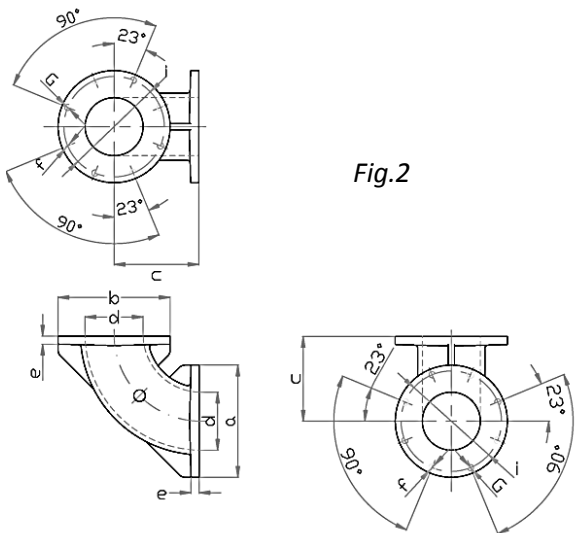
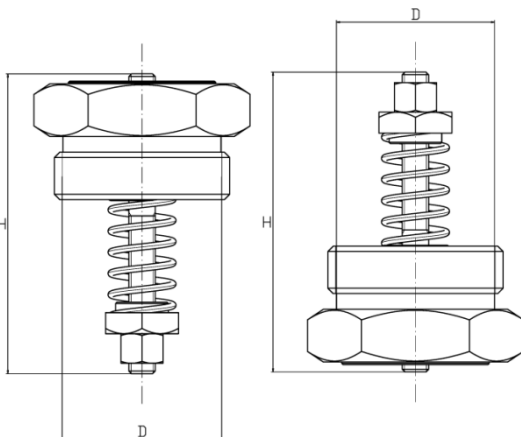


Fig.2

Type	G	i	i1	i2	j	k	Fig.	WEIGHT kg
CK 4	M6	-	14.5	14.5	70.2	70.2	1	0,36
CK 5	M6	-	17.6	17.6	85	85	1	0,68
CK 6	M8	-	18.3	23.8	99.4	104	1	0,68
CK 8	M8	130	-	-	-	-	2	1,37
CK 9	M8	150	-	-	-	-	2	1,80
CK 10	M8	190	-	-	-	-	2	4,10

## VRL

### DIMENSIONS (VLA/RV)



Mod	SCL	DN	H	D	WEIGHT kg
RV 3	10 DL	1/2 "	57	1"G	0,07
VLA 3	15 DH 06	3/4 " 1"	57	1"G	0,07

## FLOW RELIEF VALVE - VRL

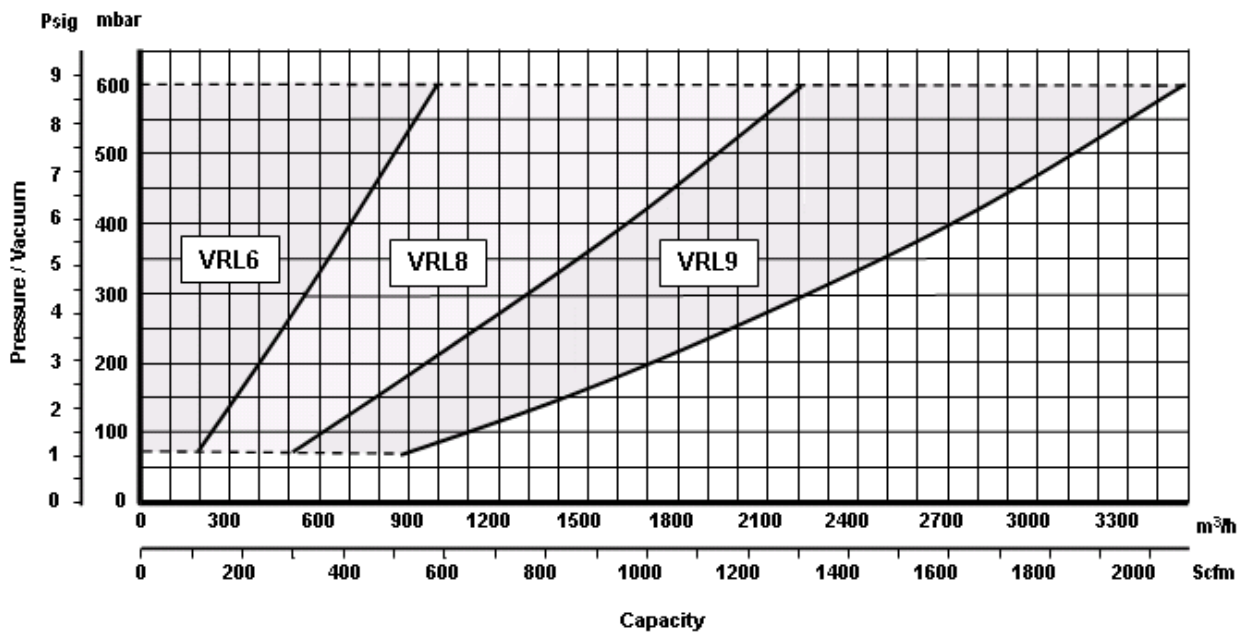
The valves have been designed for low pressure / vacuum range with minimal hysteresis (difference between the value at which the valve start to open and the value at which the valve is fully opened). The valves are supplied with different springs to maximise their efficiency. These compact valves made of aluminium alloy, are both easy to install and set-up. Valves are designed to operate in a wide range of capacities. They are featured to divert an excess of primary flow through an external pipe when working in pressure conditions, and to pipe-in a secondary flow when working in vacuum conditions.

Maximum efficiency is achieved keeping operating values (flow capacity to the relative setting pressure / vacuum value) within the **operating range** that refers to air having density equal to 1,23 kg/m<sup>3</sup>.

In the VRL version, they come with different springs to maximise efficiency.

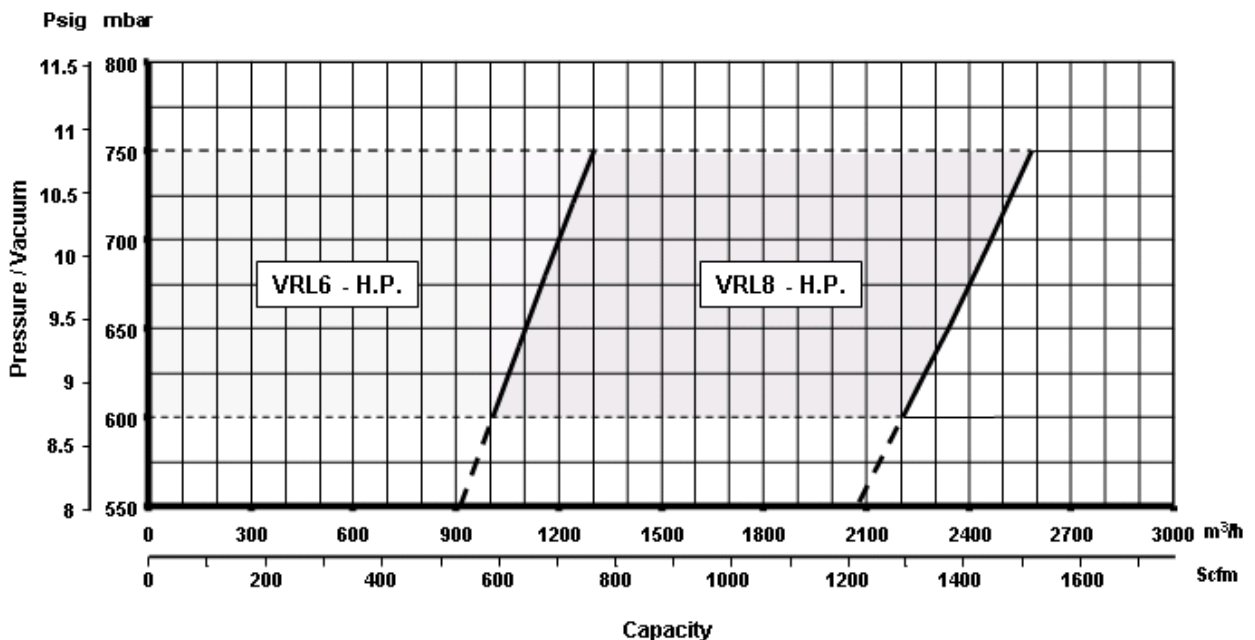
## VRL6/VRL8/VRL9

### OPERATION RANGE



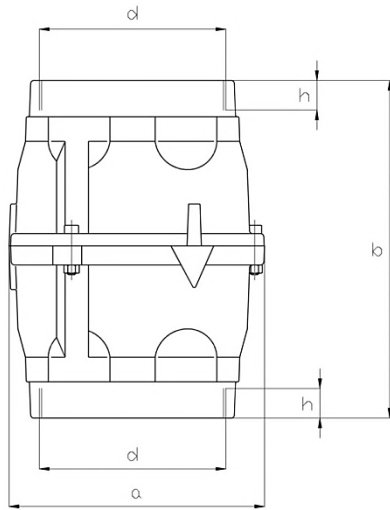
## VRL6/VRL8 H.P.

### OPERATION RANGE





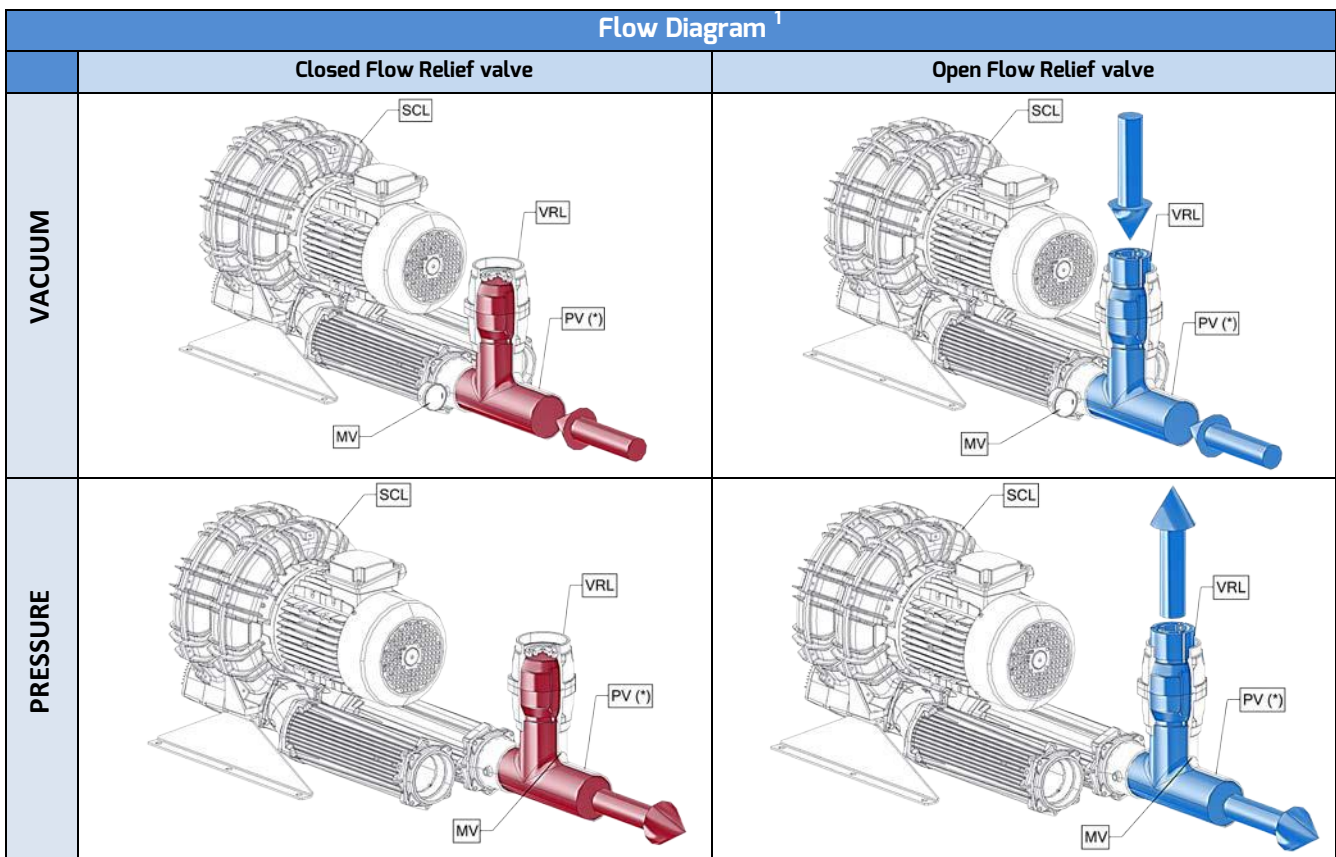
## DIMENSIONS



VALVE	Mod.	DN	d	a	b	h	Weight Kg
	VRL6	50	G 2"	102	175	12	0.85
	VRL8	80	G 3"	135	190	15	1.90
	VRL9	100	G 4"	160	206	18	2.60

VALVE	Mod.	DN	d	a	b	h	Weight kg
	VRL6 - HP	50	G 2"	102	175	12	0.85
	VRL8 - HP	80	G 3"	135	190	15	1.90

Flow Diagram <sup>1</sup>



<sup>1</sup> Caution: to read the correct value indicated on the pressure/vacuum gauge, position it between the silencer and the VRL valve.

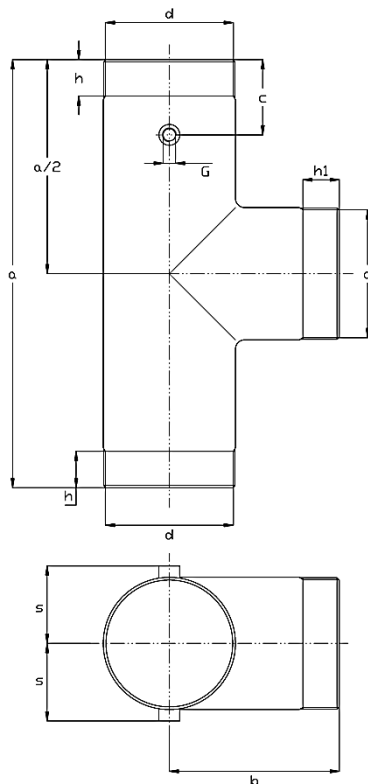
\*See the relevant data sheet

## VALVE HOLDER PV for vrl

The PV accessory is installed directly on the intake flange of the blower (suction) or on the outlet flange (feed) and is arranged for the attachment of the VRL valve, the MC manometer and the MV vacuum gauge.

### CHARACTERISTICS

- Tip with "GAS" threading.
- Provided with G1/4" hole for manometer or vacuum gauge connection.
- Material AISI 304.
- Painted in colour RAL 7031.
- Suitable for the use of flexible sleeve MF.



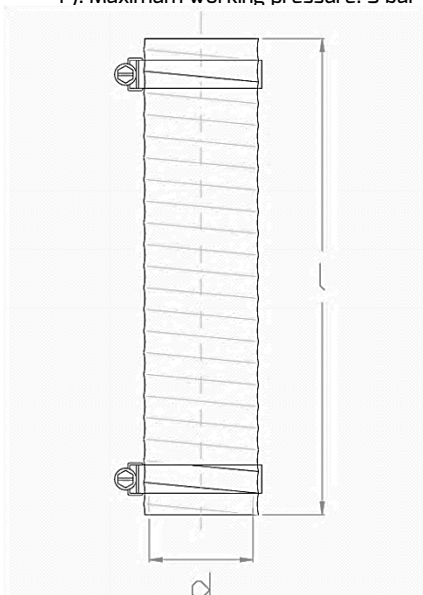
### DIMENSIONS (PV)

Type	Dn	d	a	b	c
PV 66	2"	2"	227	95	35
PV 86	3"	2"	312	137	55
PV 88	3"	3"	310	130	55
PV 96	4"	2"	371	150	65
PV 98	4"	3"	370	173	65
PV 99	4"	4"	370	147	65
PV 109	5"	4"	370	175	65

Type	G	h	h1	s	WEIGHT kg
PV 66	1/4"	21.5	21.5	40	1,30
PV 86	1/4"	28	21.5	54	2,40
PV 88	1/4"	28	28	54	2,80
PV 96	1/4"	31.5	21.5	67	3,50
PV 98	1/4"	31.5	28	67	3,80
PV 99	1/4"	31.5	31.5	67	4,60
PV 109	1/4"	31.5	28	80	3,30

## FLEXIBLE SLEEVE

Steel reinforced rubber - coated fibreglass flex tubing, including 2 adjustable hose clamps. Working temperature: -55 ÷ +176 °C (-67 ÷ +350 °F). Maximum working pressure: 3 bar (44 psi).



### DIMENSIONS (FM)

Type	Dn	d	l	WEIGHT kg
FM 1	1/2"	20	200	0,15
FM 2	3/4"	26	200	0,06
FM 3	1"	32	200	0,08
FM 4	1" 1/4	45	200	0,12
FM 5	1" 1/2	50	250	0,12
FM 6	2"	64	250	0,18
FM 8	3"	89	330	0,20
FM 9	4"	114	330	0,33
FM 10	5"	140	330	0,50

## SLEEVE

Aluminum alloy or steel flanged sleeve coupling.

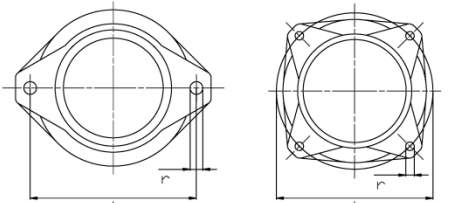
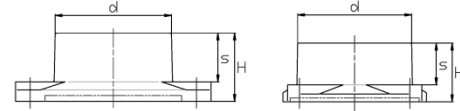


Fig.1

Fig.2

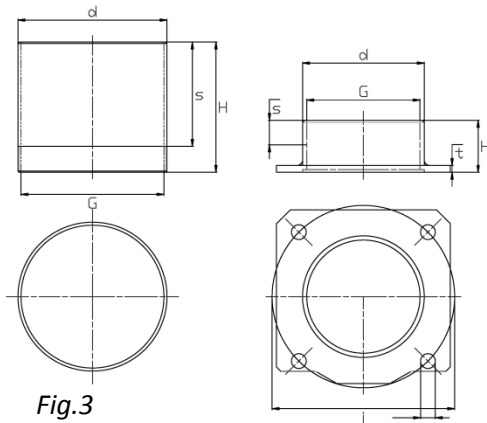


Fig.3

Fig.4

### DIMENSIONS (MP)

Type	Dn	d	G	H	i	r	s	Fig.	WEIGHT kg
MP 1	1/2"	21	1/2"G	100	-	-	85	3	0,10
MP 2	3/4"	27	3/4"G	100	-	-	85	3	0,10
MP 3	1"	33	-	35	55	6.5	25	1	0,07
MP 4	1" 1/4	42	-	35	75	6.5	25	1	0,10
MP 4V	1" 1/4	42	-	35	64	6.5	25	1	0,10
MP 5	1" 1/2	48	-	35	85	6.5	25	1	0,10
MP 5V	1" 1/2	48	-	35	75	6.5	25	1	0,10

Type	Dn	d	G	H	i	r	s	Fig.	WEIGHT kg
MP 6	2"	60	-	35	85	6.5	-	1	0,10
MP 8	3"	88	-	45	120	6.5	-	2	0,25
MP 9	4"	114	4"G	100	-	-	-	3	1,00
MP 10	5"	140	-	60	210	17	8	4	2,60
MP 10G	5"	140	5"G	60	210	17	8	4	2,60
MP 10N	5"	140	5" N	60	210	17	8	4	2,60

## HOSE CONNECTION FLANGE FITTING FOR SCL K - PK

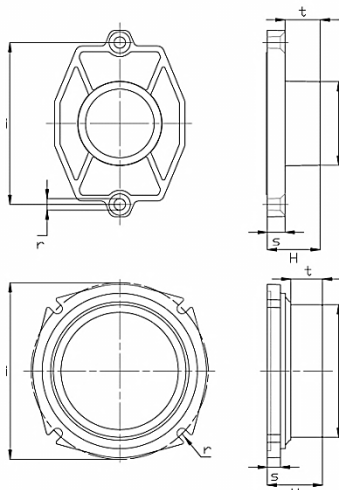
The PK accessory makes it possible to connect to the ducts without using a silencer section on the following blowers:

- SCL K-MS applicable in delivery and intake;
- SCL K-TS applicable both in delivery and intake;
- SCL K-TD applicable in delivery and intake.
- For the SCL K-MD it is applicable only on the cover at the intake

## CHARACTERISTICS

Aluminium alloy flange with hose connector.

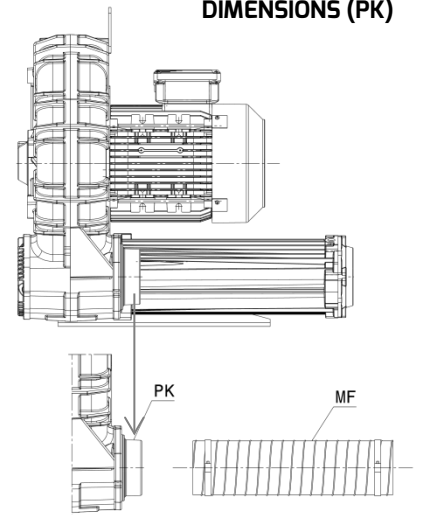
Supplied with installation kit (seal, screws, bolts and spanner).



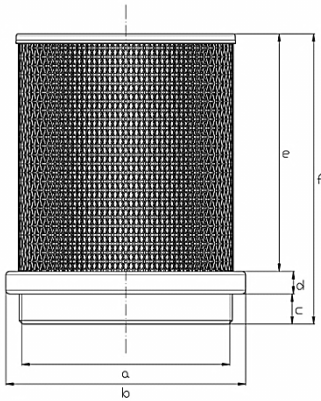
Type	Dn	d	H	i
PK 5	1" 1/2	48	30	92
PK 6	2"	60	50	110
PK 6A	2"	60	59.5	130
PK 8	3"	88	43	130
PK 9	4"	113	46	150

Type	r	t	s	Fig.	WEIGHT kg
PK 5	6.5	20	10	1	0,09
PK 6	8.5	35	10	1	0,09
PK 6A	9	35	11	2	0,09
PK 8	9	24	11	2	0,09
PK 9	9	27	11	2	0,38

### DIMENSIONS (PK)



## INLET PROTECTION - IP

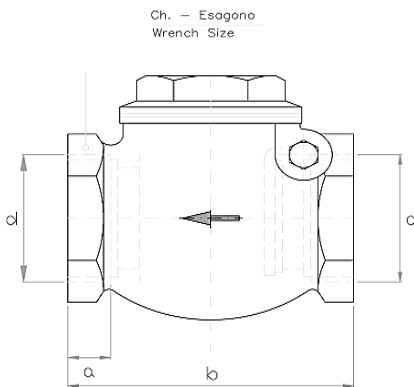


Steel mesh nylon threaded apart

### DIMENSIONS (IP)

Type	a	b	c	d	e	f	CAPACITY m <sup>3</sup> /h	WEIGHT kg
IP 5	1" 1/2	56	11	8	64	83	1200	0,05
IP 6	2"	68	13	8	78	99	1200	0,07
IP 8	3"	100	15	9	115	139	2000	0,19
IP 9	4"	127	16	12	125	153	2000	0,28

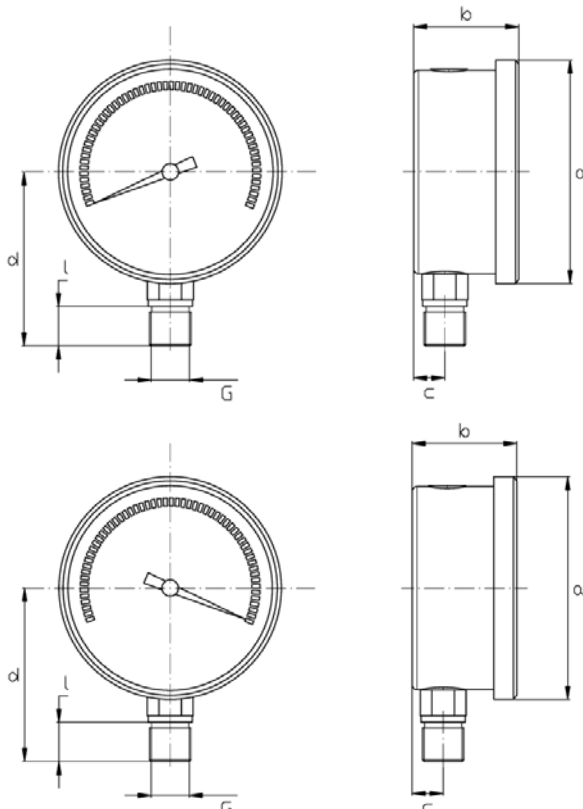
## CHECK VALVE - VC



### DIMENSIONS (VC)

Type	Dn	d	a	b	Ch.- Esagono	WEIGHT kg
VC 1	1/2"	1/2"	8	47	25	0,15
VC 2	3/4"	3/4"	8	52	32	0,20
VC 3	1"	1"	10	62	38	0,30
VC 4	1" 1/4	1" 1/4	10	74	47	0,40
VC 5	1" 1/2	1" 1/2	10	86	55	0,80
VC 6	2"	2"	12	97	67	1,00
VC 8	3"	3"	12	133	95	2,30
VC 9	4"	4"	20	180	124	5,10

## PRESSURE/VACUUM GAUGE - MC / MV



### DIMENSIONS (MC/MV)

Type	G	a	b	c	d	l	WEIGHT kg
MC 010	1/4"	63	36	11	50	13	0,18
MC 020	1/4"	63	36	11	50	13	0,18

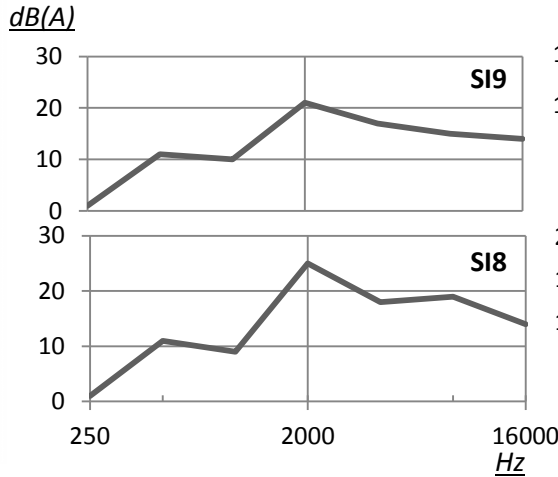
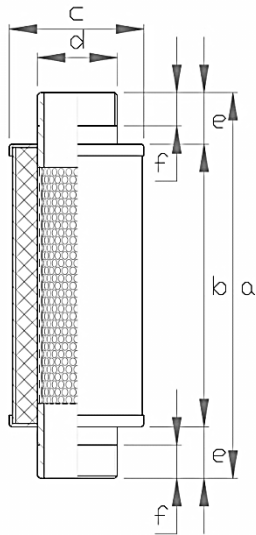
Mod	Δp	PRECISION
MC 010	0 ÷ 600 mbar	1,6%
MC 020	0 ÷ 1000 mbar	1,6%

Type	G	a	b	c	d	l	WEIGHT kg
MV 010	1/4"	63	36	11	50	13	0,18

Mod	Δp	PRECISION
MV 010	600 ÷ 0 mbar	1,6%

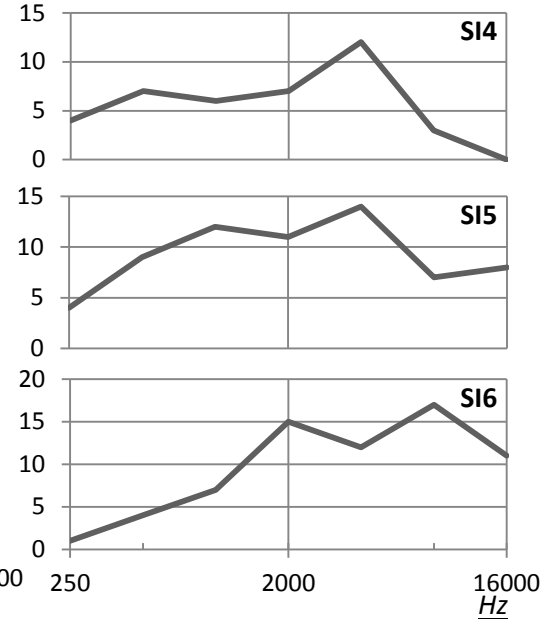
## INLINE SILENCER – SI/END MOUNTING SILENCER - SS

Inline silencer assembly with GAS threaded sleeves at both ends



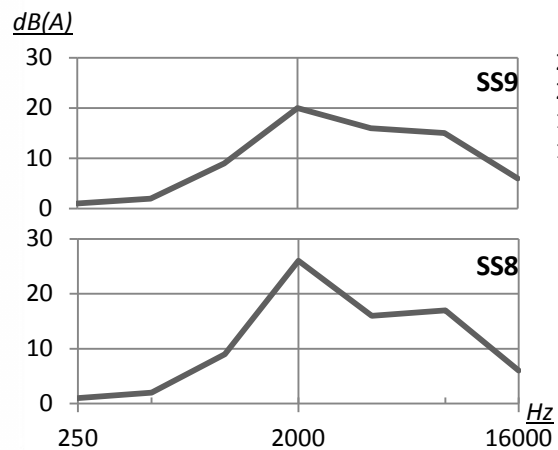
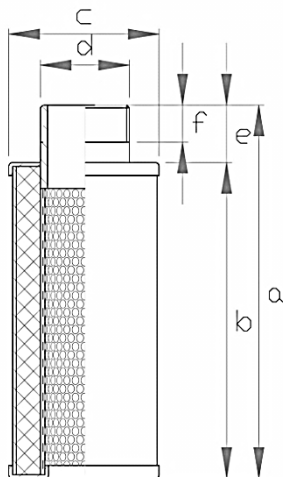
*dB(A)*

**DIMENSIONS (SI)**



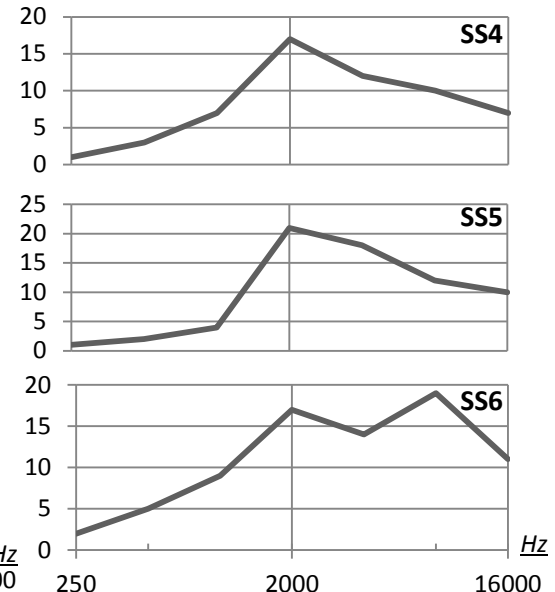
Type	d	a	b	c	e	f	WEIGHT [kg]
SI 4	1" 1/4	240	140	70	50	15	0,54
SI 5	1" 1/4	230	170	80	30	20	0,45
SI 6	2"	260	200	90	30	20	0,45
SI 8	3"	570	400	152	85	20	2,90
SI 9	4"	485	415	168	27	20	-

End mounting silencer with GAS threaded sleeve at one end and protective net at opposite end.



*dB(A)*

**DIMENSIONS (SS)**



Type	d	a	b	c	e	f	WEIGHT [kg]
SS 4	1" 1/4	190	140	70	50	15	0,54
SS 5	1" 1/4	200	170	80	30	20	0,45
SS 6	2"	230	200	90	30	20	0,45
SS 8	3"	485	400	152	85	20	2,10
SS 9	4"	465	430	169	27	20	-

Steel manufactured (apart from SI 9 / SS 9 - entirely in aluminium) with sound absorbing polyuretane element, the noise is reduced by adsorption.

Dimensions in mm - FOR REFERENCE ONLY

**FPZ, Inc**  
Soukville, Wisconsin  
USA  
usa@fpz.com

**FPZ Espana/Portugal**  
Pral, Barcelona  
Espana  
mila.lozano@fpz.com

**FPZ France S.a.r.l.**  
St. Priest  
France  
france@fpz.com

**HEADQUARTERS**  
**FPZ S.p.A.**  
Concorezzo (MB)  
Italy  
info@fpz.com

**FPZ México/LA**  
Zapopan, Jalisco  
México  
mexico@fpz.com

**FPZ UK**  
Andover, Hampshire  
United Kingdom  
uk@fpz.com

**FPZ Austria & Germany**  
Krems  
Austria  
vertrieb@fpz.com